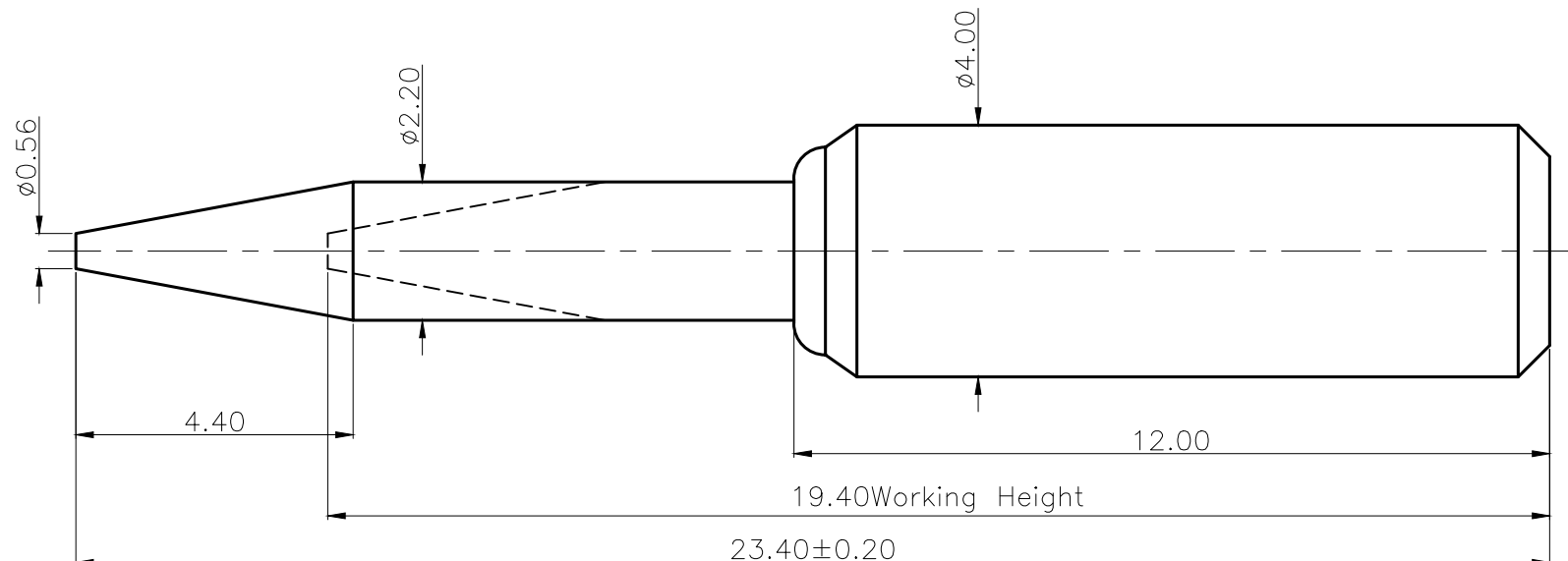


Please Approve this Drawing	
Date	
Signature	

NO.	Part Name	Q'TY	Material	Plated surface
1	Plunger	1	C3604	Au 3u" Min. OVER 50~100 U" NI
2	Barrel	1	C3604	Au 3u" Min. OVER 50~100 U" NI
3	Spring	1	SUS 304	/
4				



NOTES:

- Electrical
 - .Rated Current & Voltage : DC 12 V ; 1.0A
 - .Contact Resistance: 50 mohm maximum at Working Height(Quiescence)
- Mechanical
 - .Full store: 4.50 mm
 - .Spring Force : 60g±15g at Working Height
 - .Durability:10,000 cycles(minimum)
- Environmental
 - .Operating Temperature: -25°C~+85°C
 - .Humidity Range: 10%RH~90%RH
 - .Salt Spray: 48 Hours
- Part To Be Free Form Manufacturing Lubricants.
- When the current is greater than 1A then need to increase the time delay circuit(3 second)
- To avoid arcing issue, The adaptor start to power supply after connector mated fully.
- To ensure the best usage,please operate it based on the working height.
- .RoHs&HF compliant product.

DRAWN	lys	DATE	2020.05.21			DongGuan SUNMON Electronics Co., Ltd.					
CHECKED		SCALE	10:1	VER.	B.0						
APPROVED		TITLE	pogo pin			Ang:	Dim:				
PROJECT		MPN NO.	PPM.01-915-0302			0	±1°	0	±0.15		
SHEET	1 of 1	UNIT	mm			.0	±0.5°	.0	±0.10		
						.00	±0.25°	.00	±0.05		

VER.	DESCRIPTION	ECN NO.	DATE