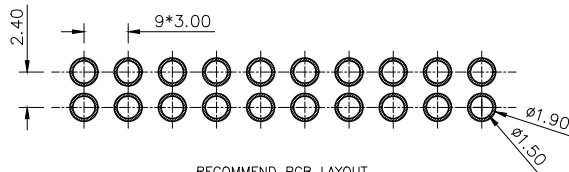
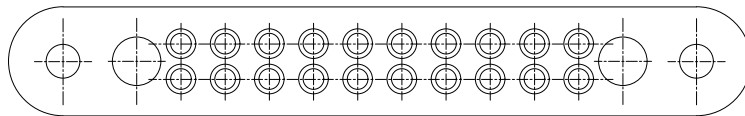
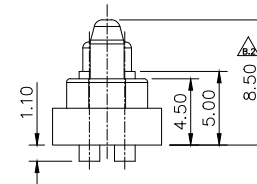
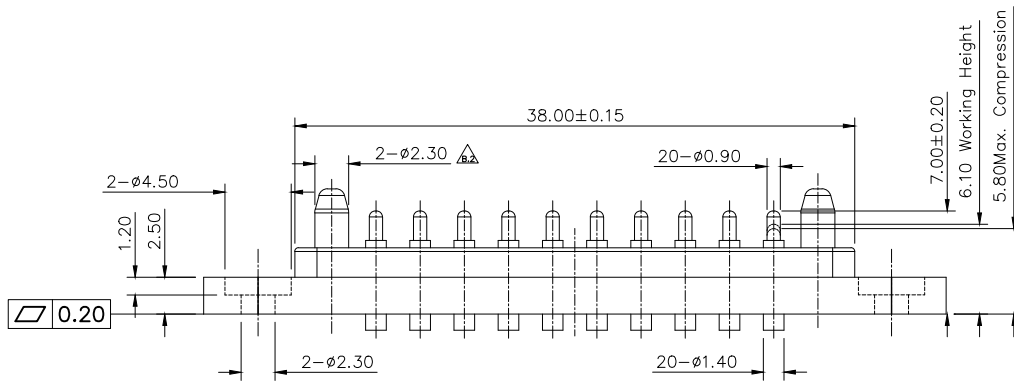
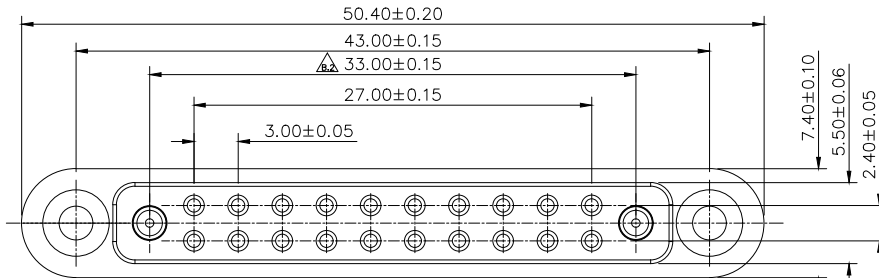


Please Approve this Drawing

Date

Signature

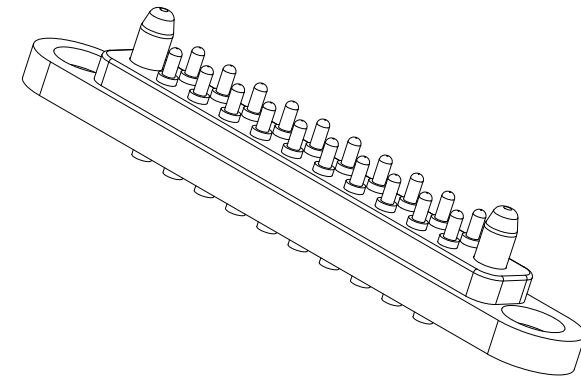


RECOMMEND PCB LAYOUT  
LAYOUT TOLERANCE:±0.05 mm

NO.	Part Name	Q'TY	Material	Plated surface
1	Plunger	20	C3604	Au 10u" Min. OVER 50~120 U" NI
2	Barrel	20	C3604	Au 10u" Min. OVER 50~120 U" NI
3	Spring	20	SUS 304	N/A
4	Guide Pin	2	C3604	Au 1u" Min. OVER 50~120 U" NI
5	Housing	1	HTN	N/A

NOTES:

- Electrical  
 .Rated Current & Voltage : DC 12 V ; 2.0A MAX  
 .Contact Resistance: 50 mohm maximum  
 at Working Height(Quiescence)
- Mechanical  
 .Full Stroke: 1.20 mm  
 .Working Stroke: 0.90 mm  
 .Spring Force: 30gf±5gf at Working Height  
 .Durability:20,000 cycles(minimum)
- Environmental  
 .Operating Temperature: -25°C~+85°C  
 .Humidity Range: 10%RH~90%RH  
 .Salt Spray: 48 Hours
- When the current is greater than 1A then need to increase the time delay circuit(3 second)
- To avoid arcing issue, The adaptor start to power supply after connector mated fully.
- To ensure the best usage, please operate it based on the working height.
- .RoHs&HF compliant product.



DRAWN	Tony	DATE	2020.06.16			DongGuan SUNMON Electronics Co., Ltd.			
CHECKED		SCALE	10:1	VER.	B.2				
APPROVED		TITLE	pogo pin connector.			Ang:	Dim:		
PROJECT		DRAWING NO.	PPM.20-1581-1002			0 ±1°	0 ±0.15		
SHEET	1 of 1	UNIT	mm			.0 ±0.5°	.0 ±0.10		
						.00 ±0.25°	.00 ±0.06		

VER.	DESCRIPTION	ECN NO.	DATE