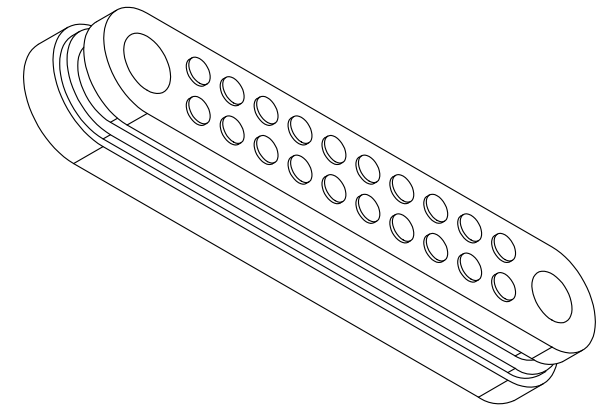
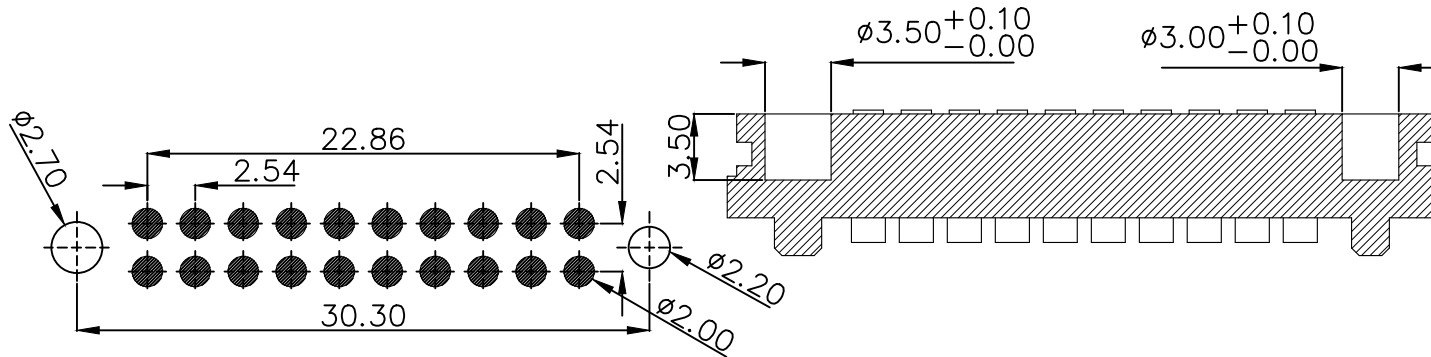
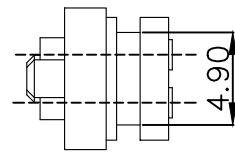
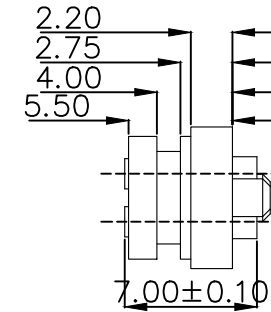
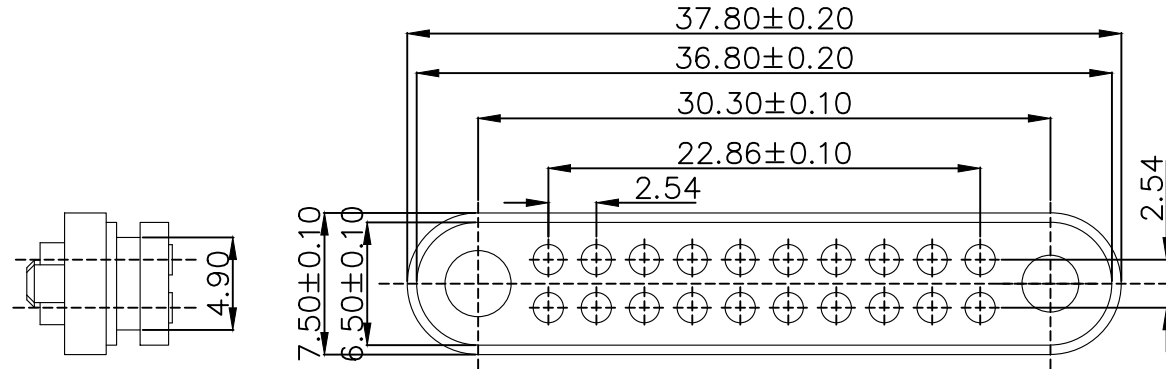
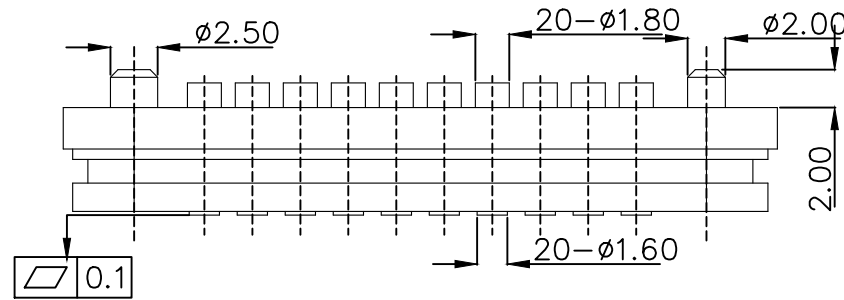


Note:

- ...Materials:
Pin:Brass C3604 ,plating 3U" Min Au over 60~100U" Ni min;
Housing:Black HTN+30%GF UL94 V-0;
- ...Electrical:
Voltage:12.0 V.
Current:2.0A Max.
Contact resistance:50mΩ Max .
- ...Environment performance:
Operating Temperature:-40°C~+80°C within 24 hours.
Resistance to Soldering heat:260°C±5°C 20s±2s.
- ...ROHS or REACH compliant product.
- ...Salt spray test:48 H.
- ...& Key inspection dimension .

REV	Description	ECN NO	DATE
T0	_____	_____	2019/12/19



Recommended pcb layout
Layout tolerance: ±0.05mm

DongGuan SUNMON Electronics Co., Ltd.	Nuits: mm	Tolerance	Drawn:
	Scale: 1:1	0~6 ±0.05	Checked:
	Size: A4	7~50 ±0.10	Approved:
Title:	20pin connector	Sheet: 1/1	>50 ±0.20
Part NO:	PPF.20-492-0302	Porj:	Angle: ±2°

Other tolerance unless otherwise noted