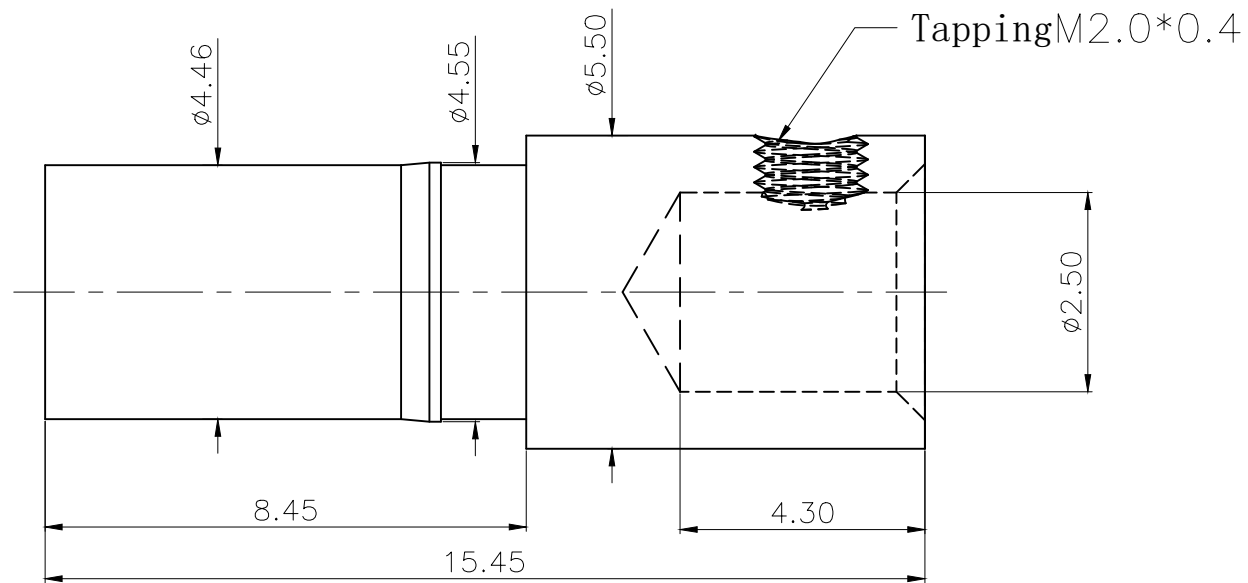


NO.	Part Name	Q'TY	Material	Plated surface
1	Pin	1	HBI59	Au 30U" MIN OVER 50~150 u" Ni



Technical requirements:

1. The surface must not have burrs, scratches and other undesirable.
2. Surface roughness Ra0.4
3. Marked * for key control dimensions, process control.

DRAWN	CDH	DATE	2023.03.10			DongGuan SUNMON Electronics Co., Ltd.	
CHECKED		SCALE	10:1	VER.	A.0		
APPROVED		TITLE	PIN			Ang:	Dim:
PROJECT		DRAWING NO.	PPF.01-5755-3002			0 ±1°	0 ±0.15
SHEET	1 of 1	UNIT	mm			.0 ±0.5°	.0 ±0.10
						.00 ±0.25°	.00 ±0.05

VER.	DESCRIPTION	ECN NO.	DATE