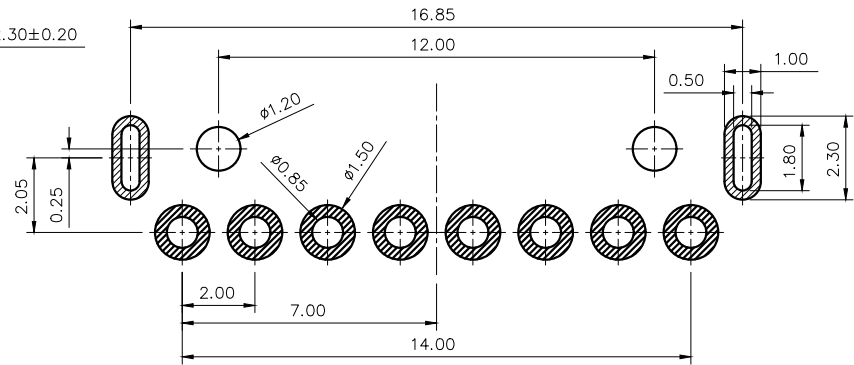
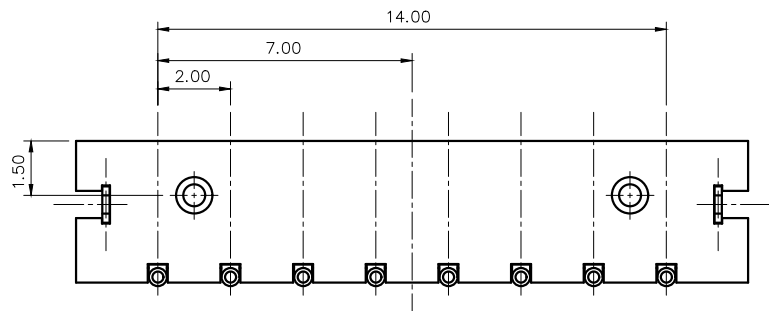
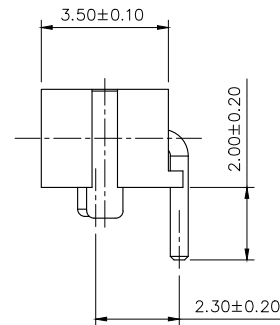
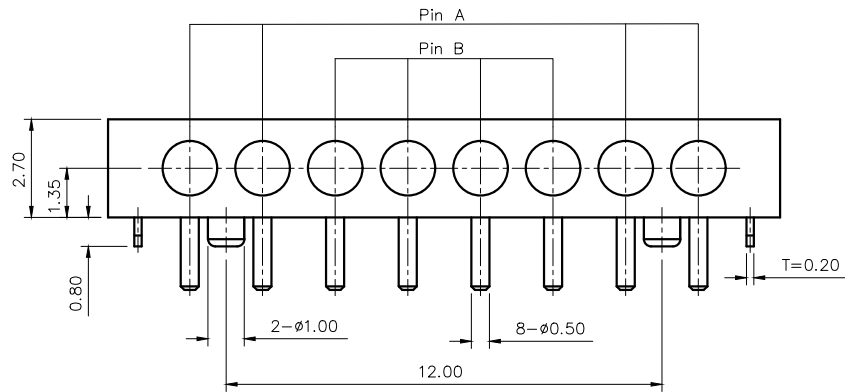
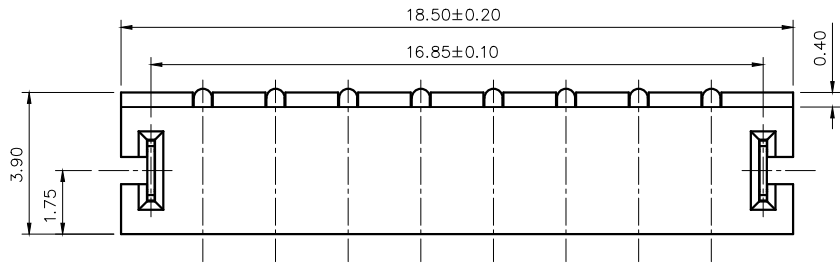


Please Approve this Drawing

Date

Signature

NO.	Part Name	Q'TY	Material	Plated surface
1	Pin A	4	Brass	Au 5u" Min. Over 50~100u" Ni
2	Pin B	4	Brass	Au 5u" Min. Over 50~100u" Ni
3	Housing	1	HTN	Black,UL94V-0
4	Latch	2	SPEC	Sn 80u" Min. Over 50u" Ni. Min



Recommended P.C.B Layout

NOTES:

- Electrical
 - .Rated Current & Voltage : DC 36 V ;
 - PIN A: 2.0 A, Pin B: 5A
 - .Contact Resistance: 50 mohm maximum at Working Height(Quiescence)
 - .Insulation Resistance: 500MΩ Min. at 500VDC/Minute
 - .Dielectric Withstanding Voltage: At 500VAC/Minute No Breakdown
- Environmental
 - .Operating Temperature: -25°C~+85°C
 - .Humidity Range: 10%RH~90%RH
 - .Salt Spray: 48 Hours
- RoHs&HF compliant product.

DRAWN	lys	DATE	2021.07.17			DongGuan SUNMON Electronics Co., Ltd.			
CHECKED		SCALE	10:1	VER.	D.0				
APPROVED		TITLE	pin connector.			Ang:	Dim:		
PROJECT		DRAWING NO.	PPF.08-519-0302B			0 ±1°	0 ±0.15		
SHEET	1 of 1	UNIT	mm			.0 ±0.5°	.0 ±0.10		
						.00 ±0.25°	.00 ±0.05		

VER.	DESCRIPTION	ECN NO.	DATE