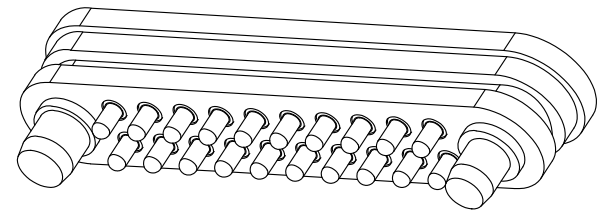
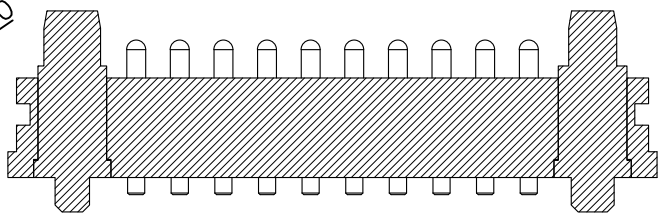
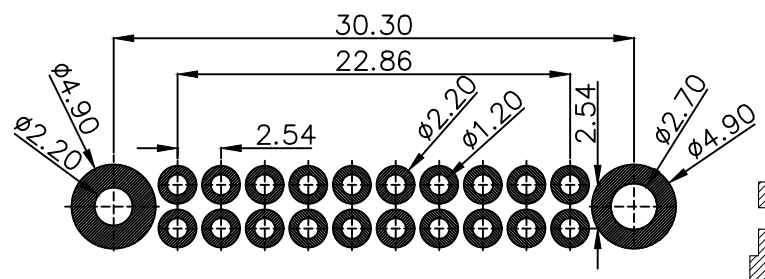
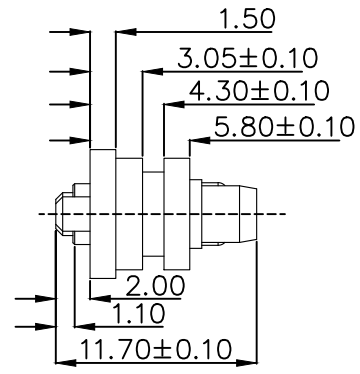
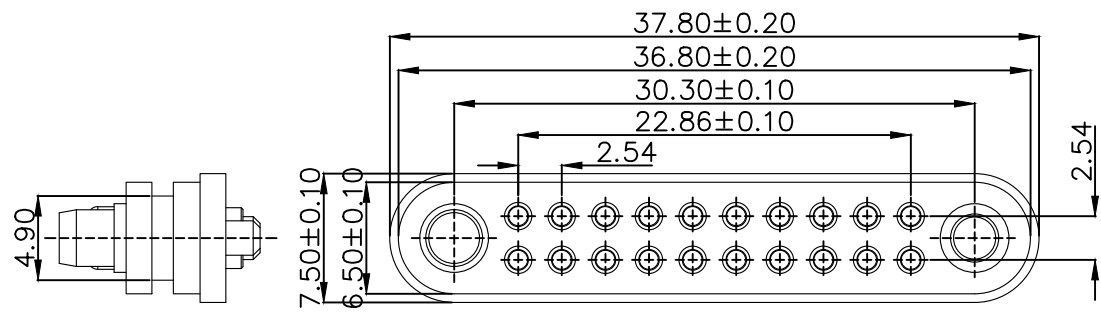
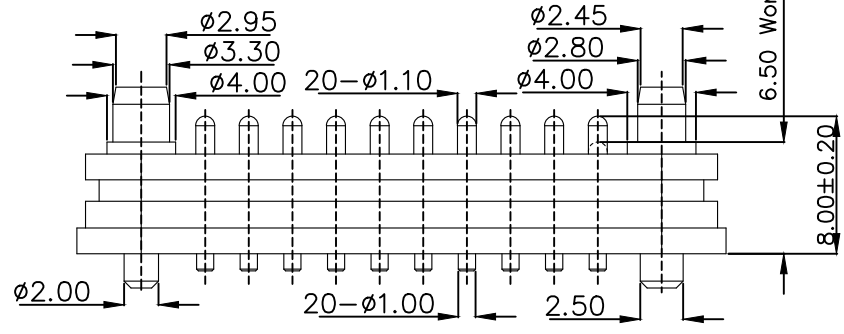


Note:
 ...Materials:
 Plunger:Brass C3604 ,plating 30" Min Au over 60~100U" Ni min.
 Barrel: Brass C3604 ,plating 30" Min Au over 60~100U" Ni min.
 Pin: Brass C3604 ,plating 1U" Min Au over 60~100U" Ni min.
 Spring: SUS304 .
 Housing:Black HTN+30%GF UL94 V-0;
 ...Mechanical:
 Spring force:100g±20g, at 1.5mm working storke.
 Full storke:l.8mm.
 Mechanical life:10000 cycle Min.
 ...Electrical:
 Voltage:12.0 V.
 Current:2.0A .
 Single pin Contact resistance:50mΩ Max at working height.
 ...Environment performance:
 Operating Temperature:-40℃~+130℃ within 24 hours.
 Resistance to Soldering heat:260℃±5℃ 20s±2s.
 ...ROHS or REACH compliant product.
 ...Salt spray test:48 H.
 ...& Key inspection dimension .
 To ensure the best usage, please operate it based on the working height.
 Based on the engineering drawings, shall not exceed the maximum allowed compression.

REV	Description	ECN NO	DATE
T0	_____	_____	2019/12/19



Recommended pcb layout
 Layout tolerance: ±0.05mm

DongGuan SUNMON Electronics Co., Ltd.		Nuits: mm	Tolerance	Drawn:
		Scale: 1:1	0~6 ±0.05	Checked:
		Size: A4	7~50 ±0.10	Approved:
Title:	20pin connector	Sheet: 1/1	>50 ±0.20	Other tolerance unless otherwise noted (Other tolerances unless otherwise specified)
Part NO:	PPM. 20-492-0302	Porj:	Angle: ±2°	