

Please Approve this Drawing

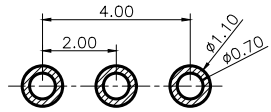
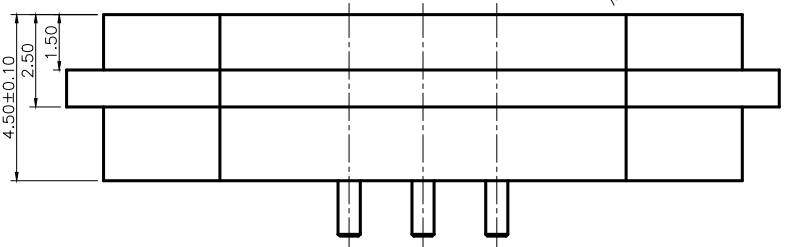
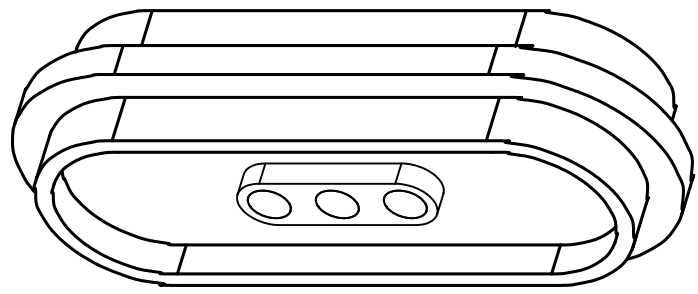
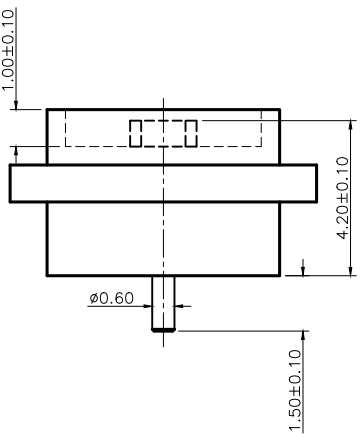
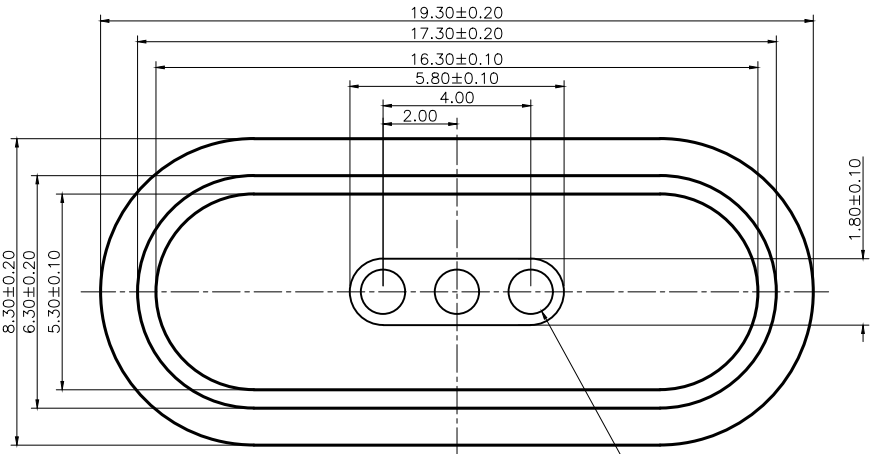
Date

Signature

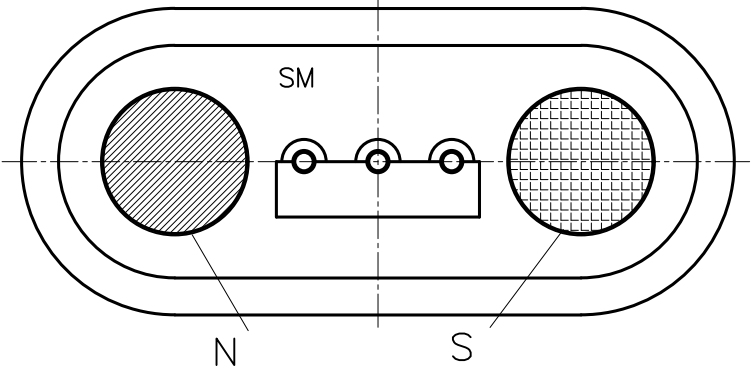
| NO. | Part Name | Q'TY | Material | Plated surface |
|-----|-----------|------|-----------------------------|------------------------------|
| 1 | Pin | 3 | HBi59 | Au 5u" Min. OVER 50U~120" Ni |
| 2 | Magnet | 2 | NdFeB | Ni Plating |
| 3 | Housing | 1 | High temp.Plastic; UL94 V-0 | Color Black |

NOTES:

- Electrical
 - .Rated Current & Voltage : DC 12 V ; 3.0A Max.
 - .Contact Resistance: 50 mohm maximum at Working Height(Quiescence)
- Environmental
 - .Operating Temperature: -40°C~+85°C
 - .Humidity Range: 10%RH~90%RH
 - .Salt Spray: 48 Hours
 - Dustproof and waterproof: IP65
- Male and female docking magnetic force: 400gf MIN.
- RoHs&HF compliant product.



Recommended pcb layout
Layout tolerance: ±0.05mm



| | | | | | | | | | | | |
|----------|--------|-------------|----------------------------|------|-----|---------------------------------------|--------|-----|-------|--|--|
| DRAWN | CDH | DATE | 2022.07.22 | | | DongGuan SUNMON Electronics Co., Ltd. | | | | | |
| CHECKED | | SCALE | 10:1 | VER. | B.0 | | | | | | |
| APPROVED | | TITLE | pogo pin female connector. | | | Ang: | Dim: | | | | |
| PROJECT | | DRAWING NO. | PPF.03-816-0502 | | | 0 | ±1° | 0 | ±0.15 | | |
| SHEET | 1 of 1 | UNIT | mm | | | .0 | ±0.5° | .0 | ±0.10 | | |
| | | | | | | .00 | ±0.25° | .00 | ±0.05 | | |

| VER. | DESCRIPTION | ECN NO. | DATE |
|------|-------------|---------|------|
| | | | |