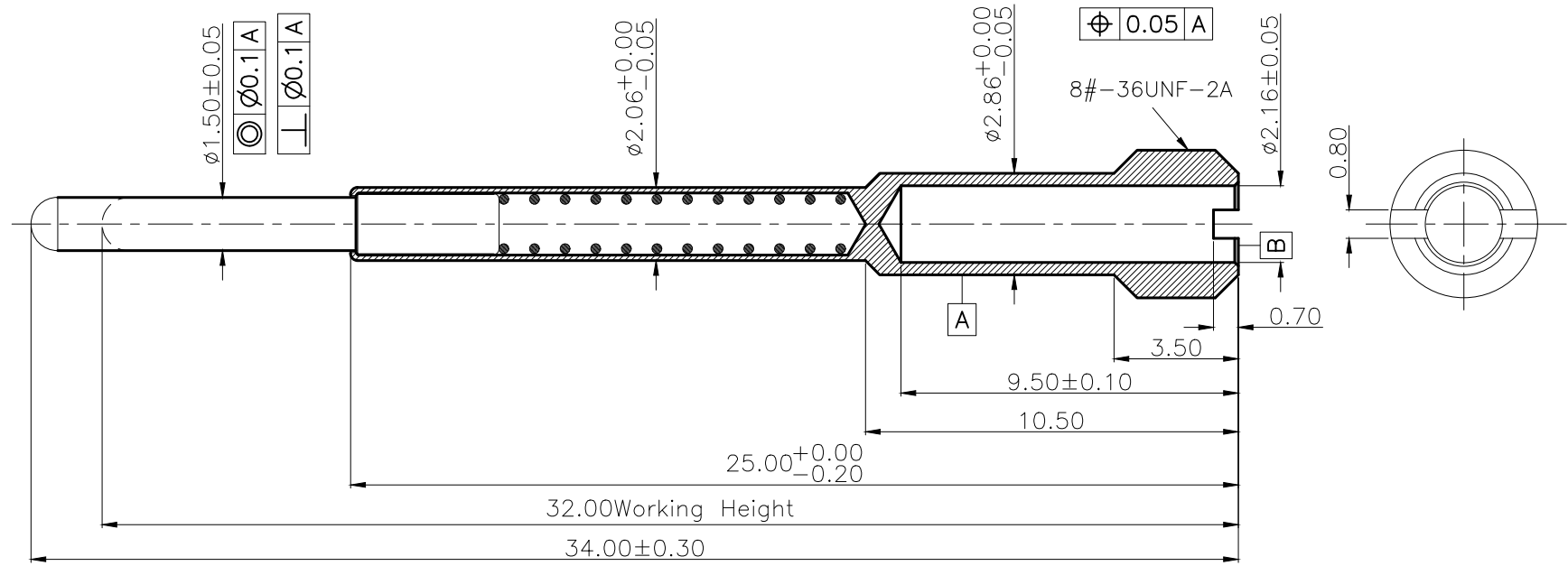


Please Approve this Drawing

Date

Signature

NO.	Part Name	Q'TY	Material	Plated surface
1	Plunger	1	HBI59	Au 12u" Min. Over 50~120u" Ni
2	Barrel	1	HBI59	Au 12u" Min. Over 50~120u" Ni
3	Spring	1	SUS	



NOTES:

- Electrical
  - .Rated Current & Voltage : DC 300 V ; 8.0A
  - .Contact Resistance: 100 mohm maximum at Working Height(Quiescence)
- Mechanical
  - .Max. compression: 30.00 mm
  - .Spring Force : 350g±20%g at Working Height
  - .Spring Force : 600g±20%g at Max. compression
  - .Durability:10,000 cycles(minimum)
- Environmental
  - .Operating Temperature: -30°C~+120°C
  - .Humidity Range: 10%RH~90%RH
  - .Salt Spray: 48 Hours
- When the current is greater than 1A then need to increase the time delay circuit(3 second)
- To avoid arcing issue, The adaptor start to power supply after connector mated fully.
- To ensure the best usage, please operate it based on the working height.
- .RoHS&HF compliant product.

DRAWN	CDH	DATE	2022.11.11			DongGuan SUNMON Electronics Co., Ltd.				
CHECKED		SCALE	10:1	VER.	A.0					
APPROVED		TITLE	pogo pin			Ang:		Dim:		
PROJECT		DRAWING NO.	PPM.01-5375-1202			0	±1°	0	±0.15	
SHEET	1 of 1	UNIT	mm			.0	±0.5°	.0	±0.10	
						.00	±0.25°	.00	±0.05	

VER.	DESCRIPTION	ECN NO.	DATE